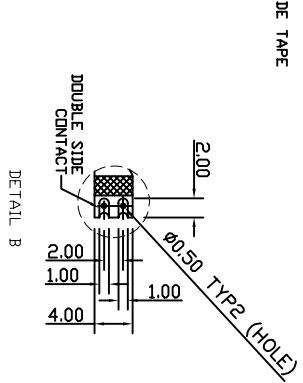
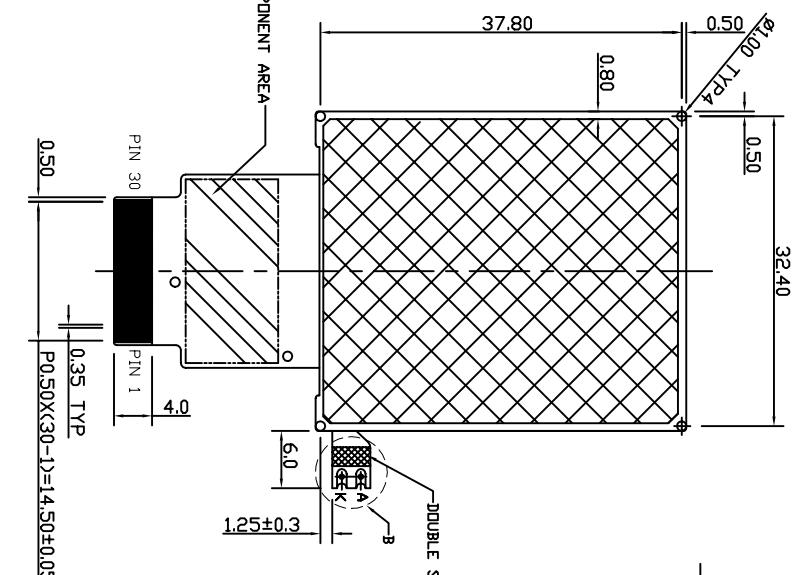
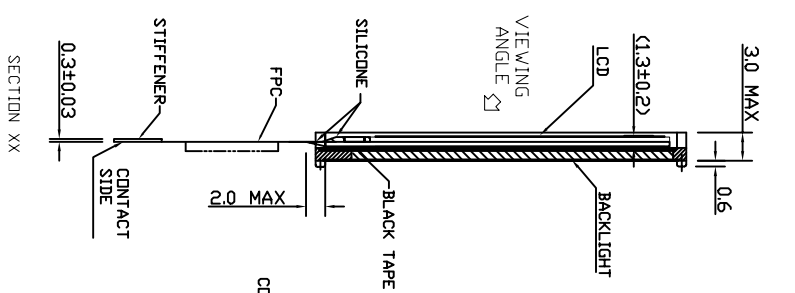
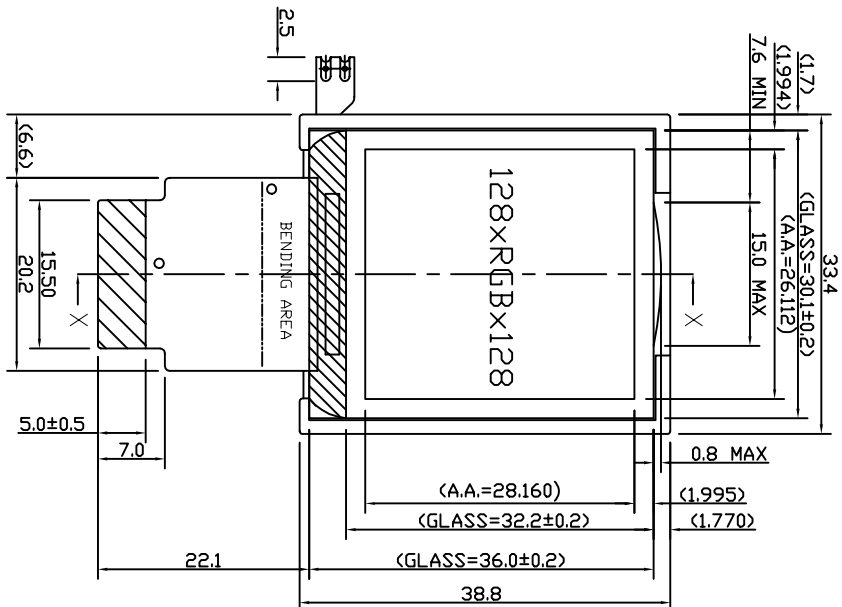


THE DRAWING ON THIS PRINT AND INFORMATION THEREWITH ARE PROPRIETARY TO VARTTRONIX AND SHALL NOT BE USED IN WHOLE OR IN PART WITHOUT WRITTEN PERMISSION OF VARTTRONIX.



DISPLAY TYPE	1.5" TFT, +VE, TRANSMISSIVE, 65K COLORS
DISPLAY RESOLUTION	128 X RGB X 128 DOTS
VIEWING ANGLE	12 O' CLOCK
MUX RATIO AND BIAS RATIO	1/128 DUTY
LCD CONTROLLER/DRIVER	TL1771
LOGIC VOLTAGE	3.0V
LCD DRIVING VOLTAGE	TBD
OPERATION TEMPERATURE	-20C to +70C
STORAGE TEMPERATURE	-30C to +80C
BACKLIGHT	TBD

1	2	3	4	5	6	7	8	9	10	11	12	13	14	15
VCC	VCC	IOVCC	RDB	RESETB	RS	CSB	WRB	DB0	DB1	DB2	DB3	DB4	DB5	DB6
DB7	DB8	DB9	DB10	DB11	DB12	DB13	DB14	DB15	DB16	DB17	GND	GND	IM1	IN0



VARTTRONIX LIMITED

- NOTES:
- SPECIAL CHARACTERISTIC
  - SAFETY CHARACTERISTIC
  - CRITICAL DIMENSION
  - REFERENCE DIMENSION

ISSUE	AMENDMENT	DATE

TITLE: SPECIFICATION OF MODULE  
 PROJECT NO: COG-T150MHG-03

CUSTOMER REF: XXX ±0.3  
 TOLERANCE UNLESS OTHERWISE SPECIFIED: XXX ±0.1  
 DIMENSIONS IN MM ANGULAR ±1°  
 MATERIAL: N/A FINISH: N/A  
 SCALE: DO NOT IN SCALE OVERALL THK: N/A

THIRD ANGLE PROJECTION		
NAME	SIGN	DATE
DRAWN: HENRY LAU		06.02.03
CHECKED: KENNY KWIK		
APPROVED: K.P.H		
ITEM NO.: COG-T150MHG-03		

DESCRIPTION: COG-T150MHG-03  
 FILE NO: COG-T150MHG-03 REV: 0  
 SHEET 1 OF 1