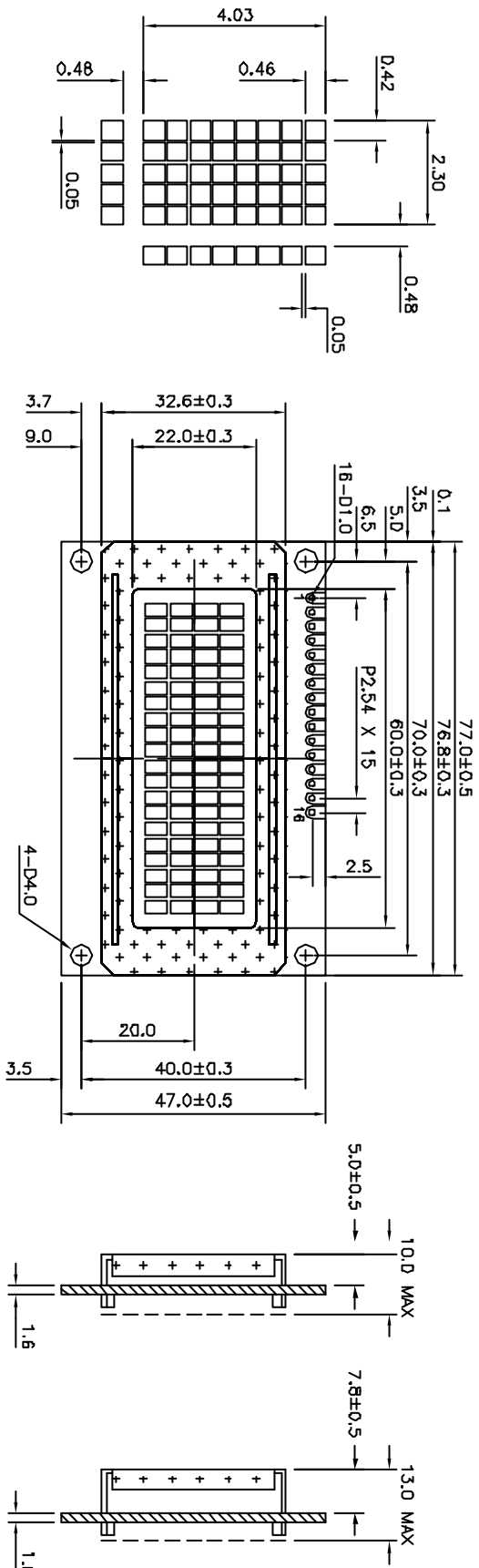
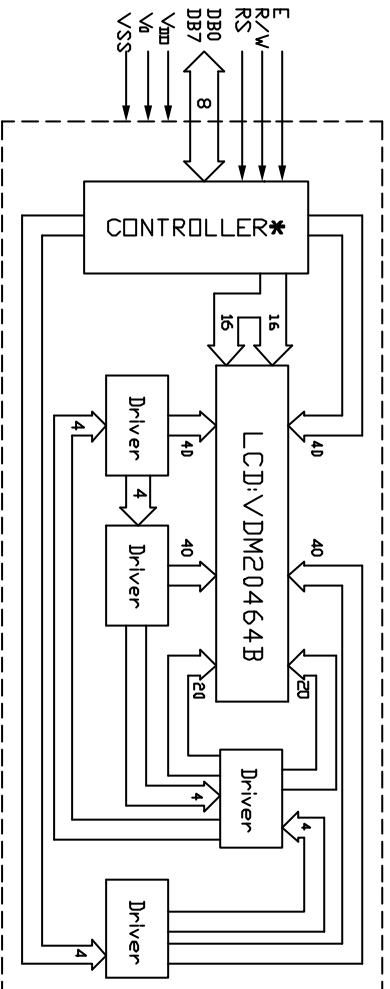


| ISSUE | AMENDMENT | DATE |
|-------|-----------|------|
|       |           |      |
|       |           |      |
|       |           |      |
|       |           |      |



|                   |     |     |    |    |     |   |     |     |     |     |     |     |     |     |        |        |
|-------------------|-----|-----|----|----|-----|---|-----|-----|-----|-----|-----|-----|-----|-----|--------|--------|
| 14 PIN CONNECTION | 1   | 2   | 3  | 4  | 5   | 6 | 7   | 8   | 9   | 10  | 11  | 12  | 13  | 14  | A      | K      |
| 16 PIN CONNECTION | 1   | 2   | 3  | 4  | 5   | 6 | 7   | 8   | 9   | 10  | 11  | 12  | 13  | 14  | 15     | 16     |
|                   | VSS | VDD | VO | RS | R/W | R | DB0 | DB1 | DB2 | DB3 | DB4 | DB5 | DB6 | DB7 | LED(+) | LED(-) |



\* KS068BP OR EQUIVALENT

**TITLE: SPECIFICATION OF MODULE**

**PROJECT NO: MDLS20464BD**

TOLERANCE UNLESS OTHERWISE SPECIFIED: X.XX ±0.3  
X.XX ±0.1

DIMENSIONS IN MM FINISH: SCALE: DO NOT ON SCALE THICKNESS: THIRD ANGLE PROJECTION

| THIRD ANGLE PROJECTION | NAME    | SIGN | DATE     |
|------------------------|---------|------|----------|
| DRAWN                  | PAN WU  |      | 01.05.28 |
| CHECKED                | CHARM   |      |          |
| APPROVED               | K.P. HO |      |          |

ITEM NO. MDLS20464BD-XX

DESCRIPTION: MDLS20464BD

FILE NO: MODULE MDLS20464BD-XX REV 0