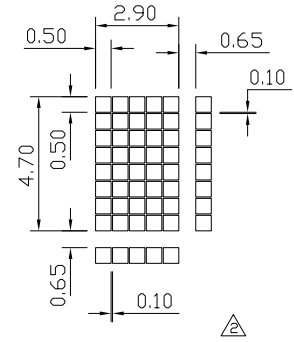
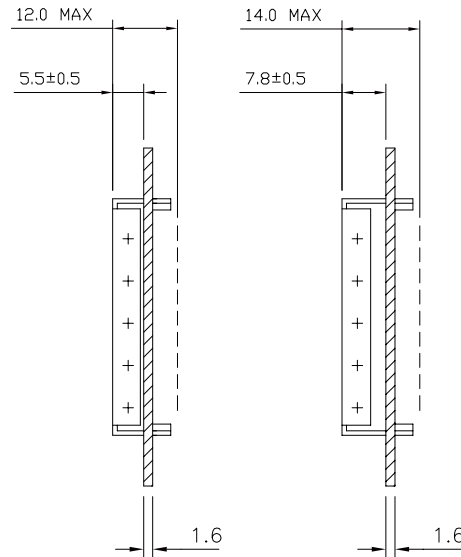
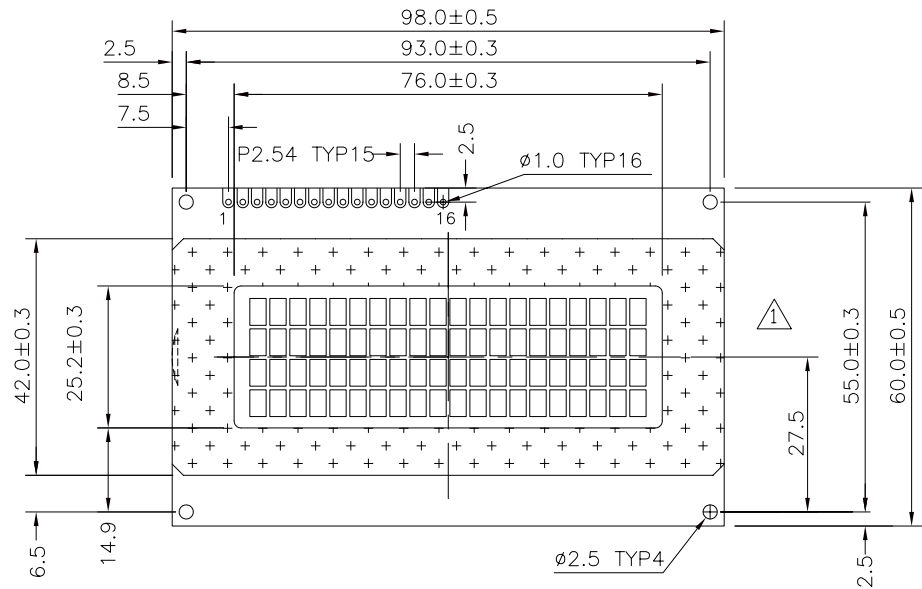


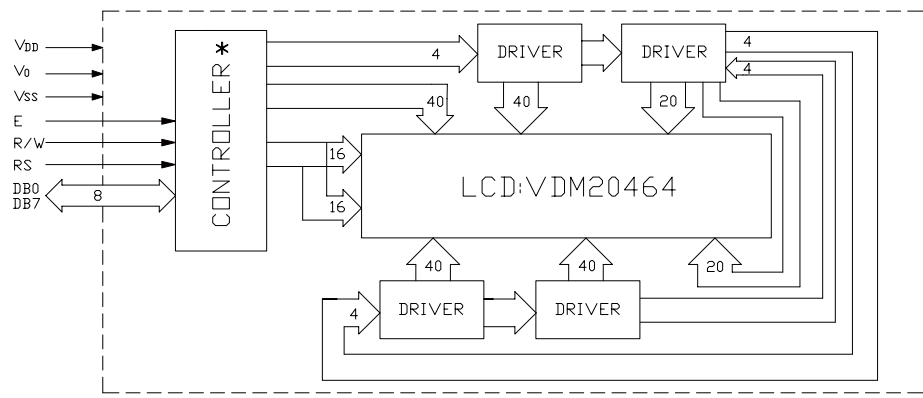
The information contained in this document is proprietary to VARITRONIX LTD. and shall be protected from any reproduction in part or as a whole without Varitronix's written approval.

ISSUE	AMENDMENT	DATE
△ ¹	UPDATE DRAWING ADD LED06 AND THE NOTES	03.11.20
△ ²	ADD LED02 ADD CHARACTER SIZE AND DOT SIZE	05.02.25



NO LED OR WITH EL PANEL WITH LED02 OR LED04 OR LED05
△¹ △²

16 PIN CONNECTION	1	2	3	4	5	6	7	8	9	10	11	12	13	14	15	16
	VSS	VDD	V0	RS	R/W	E	DB0	DB1	DB2	DB3	DB4	DB5	DB6	DB7	LED(+)	LED(-)



* KS0066UP OR EQUIVALENT

- NOTES: △¹
- "◇" SPECIAL CHARACTERISTIC
 - "+" SAFETY CHARACTERISTIC
 - "○" REFERENCE ONLY
 - "▽" CRITICAL DIMENSION

TITLE: SPECIFICATION OF MODULE			
PROJECT NO: MDLS20464D			
TOLERANCE UNLESS OTHERWISE SPECIFIED:	X.X ±0.3	X.XX ±0.1	ANGULAR: ±1.0°
DIMENSIONS IN MM			
MATERIAL: N/A	FINISH: N/A		
SCALE: DO NOT ON SCALE	OVERALL THK: N/A		
THIRD ANGLE PROJECTION			
	NAME	SIGN	DATE
DRAWN:	XG LUO		05.02.25
CHECKED:	SQ QIN		
APPROVED:	CHARM		
ITEM NO.: MDLS20464D-XX			
DESCRIPTION: MDLS20464D-XX			
FILE NO: MDLS20464D-XX R2.DWG REV: 2			
SHEET	1	OF	1