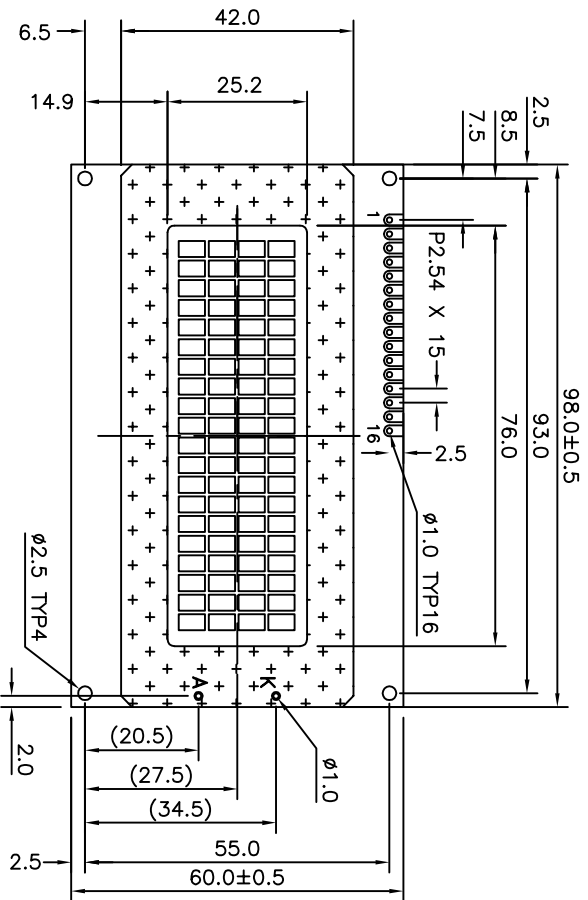
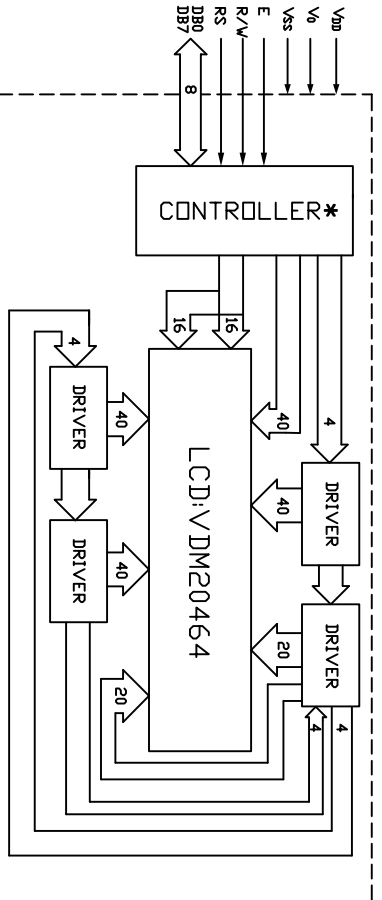
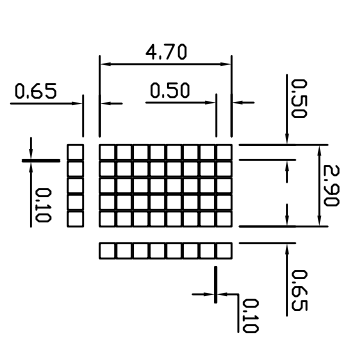
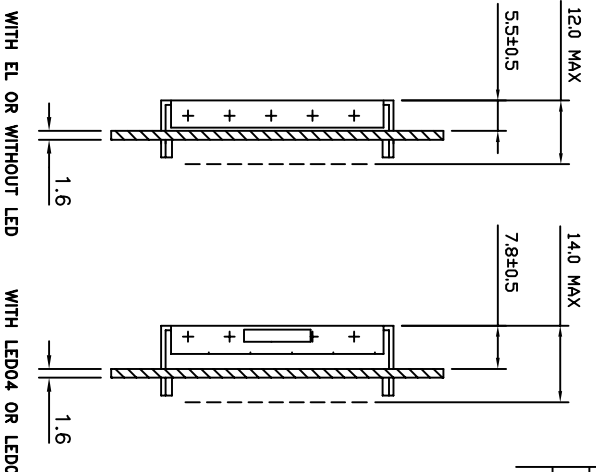


THE DRAWING ON THIS PRINT AND INFORMATION THEREON ARE PROPRIETARY TO VARRITRONIX AND SHALL NOT BE REPRODUCED OR TRANSMITTED IN ANY FORM OR BY ANY MEANS WITHOUT THE WRITTEN PERMISSION OF VARRITRONIX.



16 PIN CONNECTION	1	2	3	4	5	6	7	8	9	10	11	12	13	14	15	16
VSS	VDD	V0	RS	R/W	E	DB0	DB1	DB2	DB3	DB4	DB5	DB6	DB7	LED(+)	LED(-)	



\* SPIC780A1 OR EQUIVALENT

- NOTES:
- 1. SPECIAL CHARACTERISTIC
  - 2. SAFETY CHARACTERISTIC
  - 3. CRITICAL DIMENSION
  - 4. REFERENCE DIMENSION

**VARRITRONIX**  
VARRITRONIX LIMITED

TITLE: MODULE SPECIFICATION	
PROJECT NO.: MDLS20464SP	
CUSTOMER REF: XXX ±0.3	
TOLERANCE UNLESS OTHERWISE SPECIFIED: XXX ±0.1	
DIMENSIONS IN MM ANGULAR ±1°	
MATERIAL: N/A FINISH: N/A	
SCALE: DO NOT IN SCALE OVERALL THK: N/A	
THIRD ANGLE PROJECTION	
DRAWN: XH CHEN	DATE: 08.02.19
CHECKED: HELEN HE	
APPROVED: CHARM	
ITEM NO.: MDLS20464SP-XX	
DESCRIPTION: MDLS20464SP	
FILE NO.: MDLS20464SP-XX R2.DWG REV: 2	
SHEET 1	OF 1

ISSUE	AMENDMENT	DATE
Δ1	ADD LED05 AND THE NOTES	03.10.28
Δ1	ADD DOT SIZE	08.02.19