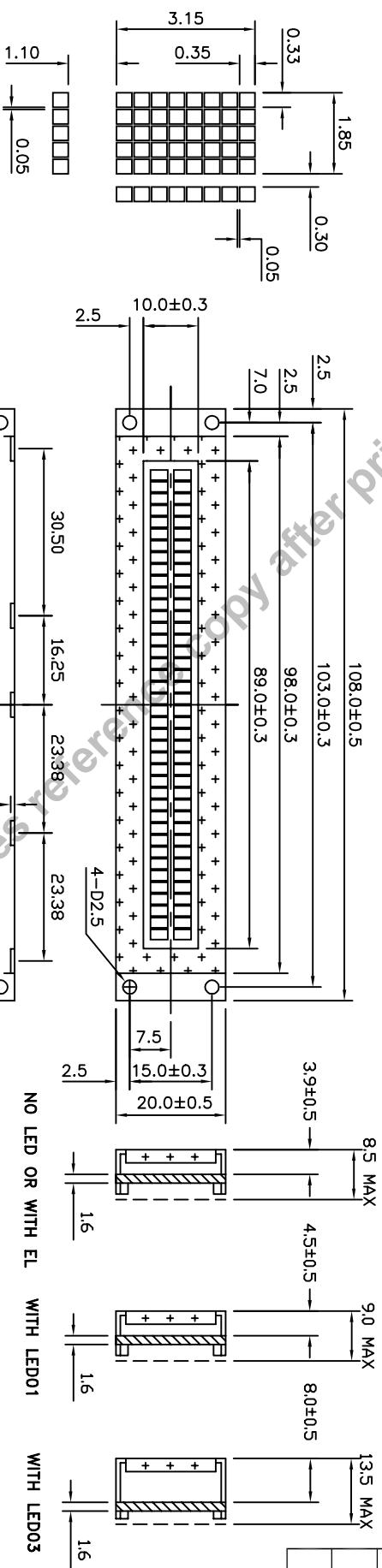
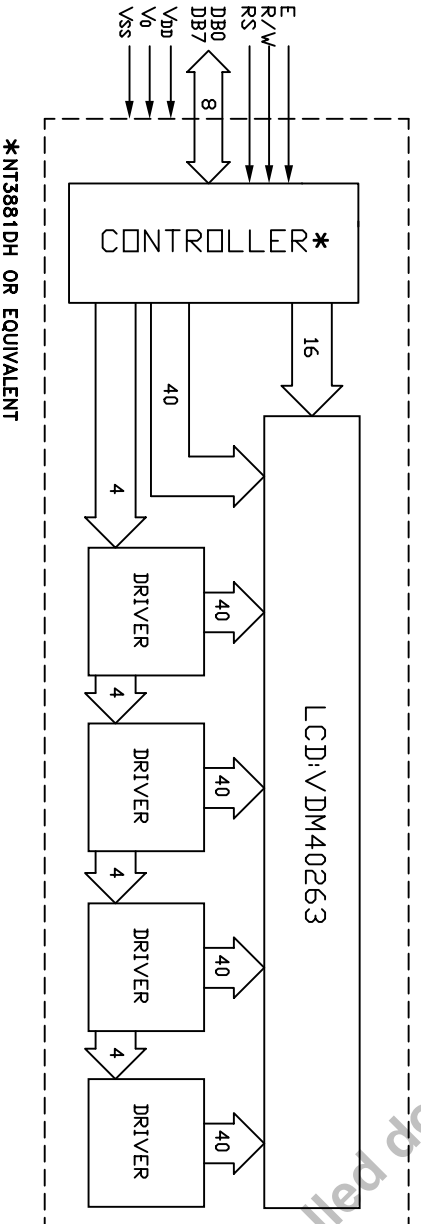


ISSUE	AMENDMENT	DATE



- NOTES:
- ◇ SPECIAL CHARACTERISTIC
 - ++ SAFETY CHARACTERISTIC
 - ◇ REFERENCE ONLY
 - ▽ CRITICAL DIMENSION

16 PIN CONNECTION	1	2	3	4	5	6	7	8	9	10	11	12	13	14	15	16
	YSS	VDD	VO	RS	R/W	E	DB0	DB1	DB2	DB3	DB4	DB5	DB6	DB7	LED(+)	LED(-)



*NT3881DH OR EQUIVALENT

TITLE: SPECIFICATION OF MODULE

PROJECT NO: MDLS40263

TOLERANCE UNLESS OTHERWISE SPECIFIED:
X.X ±0.3
X.XX ±0.1

DIMENSIONS IN MM
MATERIAL: FINISH:
SCALE: DO NOT ON SCALE THICKNESS:

THIRD ANGLE PROJECTION

DRAWN	NAME	SIGN	DATE
CHECKED	LUO XIAN GANG		03.04.23
APPROVED	HE ZUO BING		
	CHARM		

ITEM NO. MDLS40263-XX

DESCRIPTION: MDLS40263

FILE NO: MDLS40263-XX R0.DWG|REV 0